

1

2

3

4

A

A

B

B

C

C

D

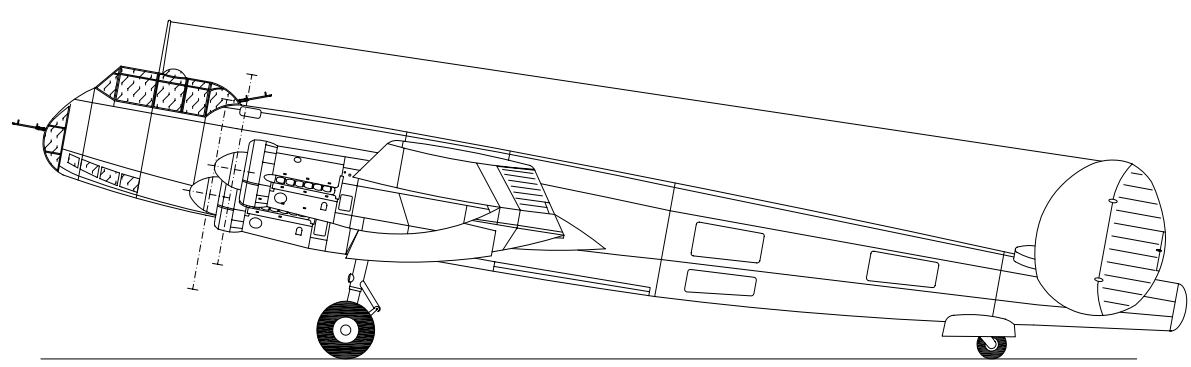
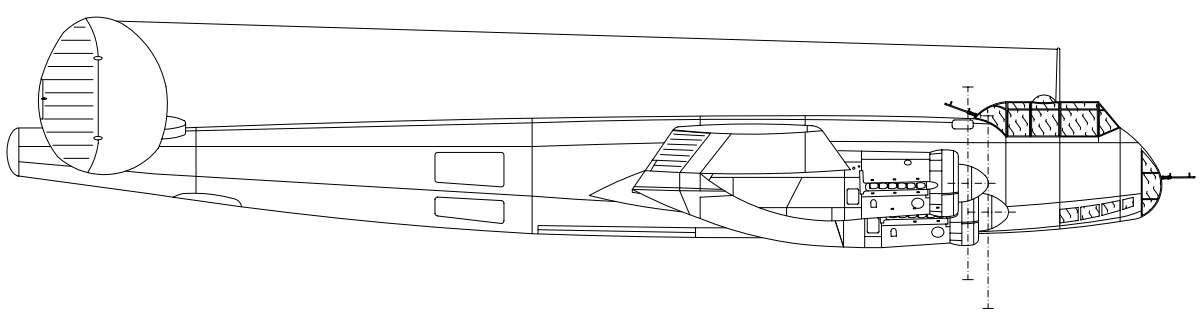
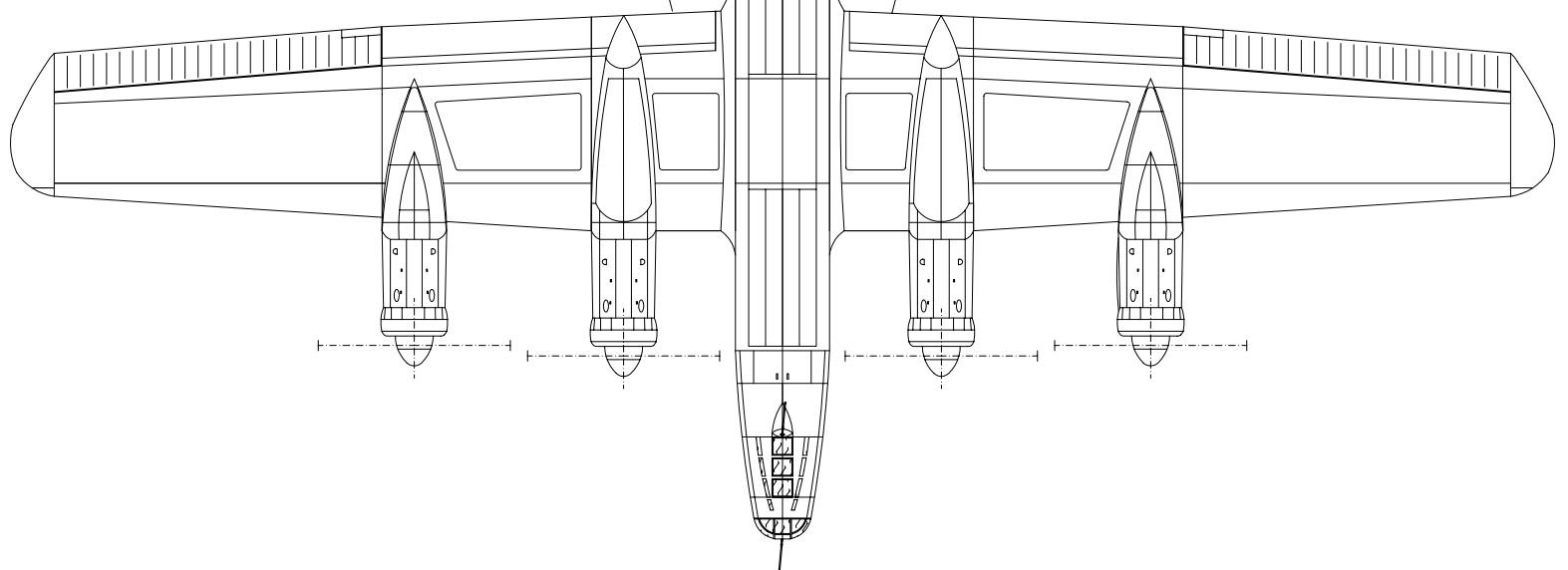
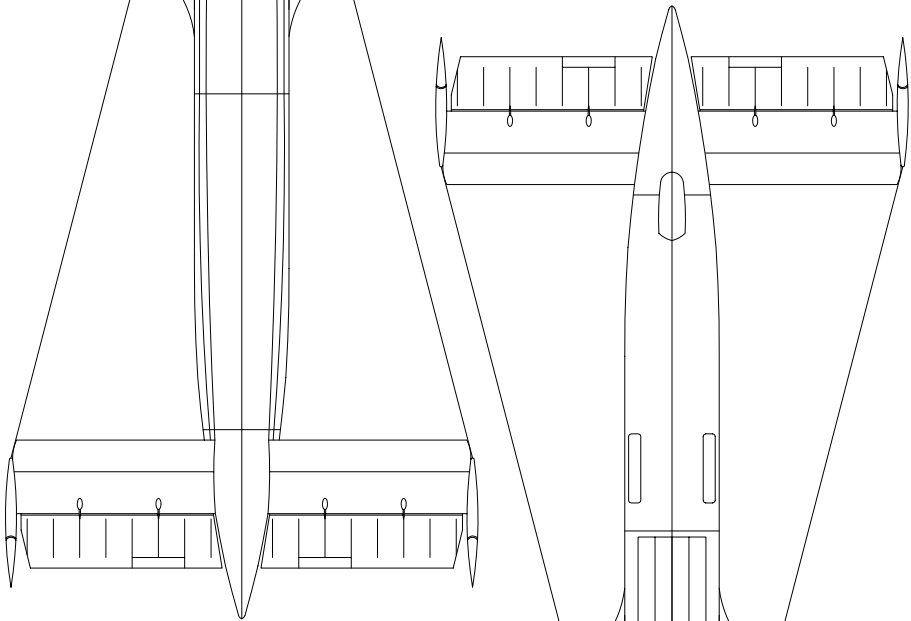
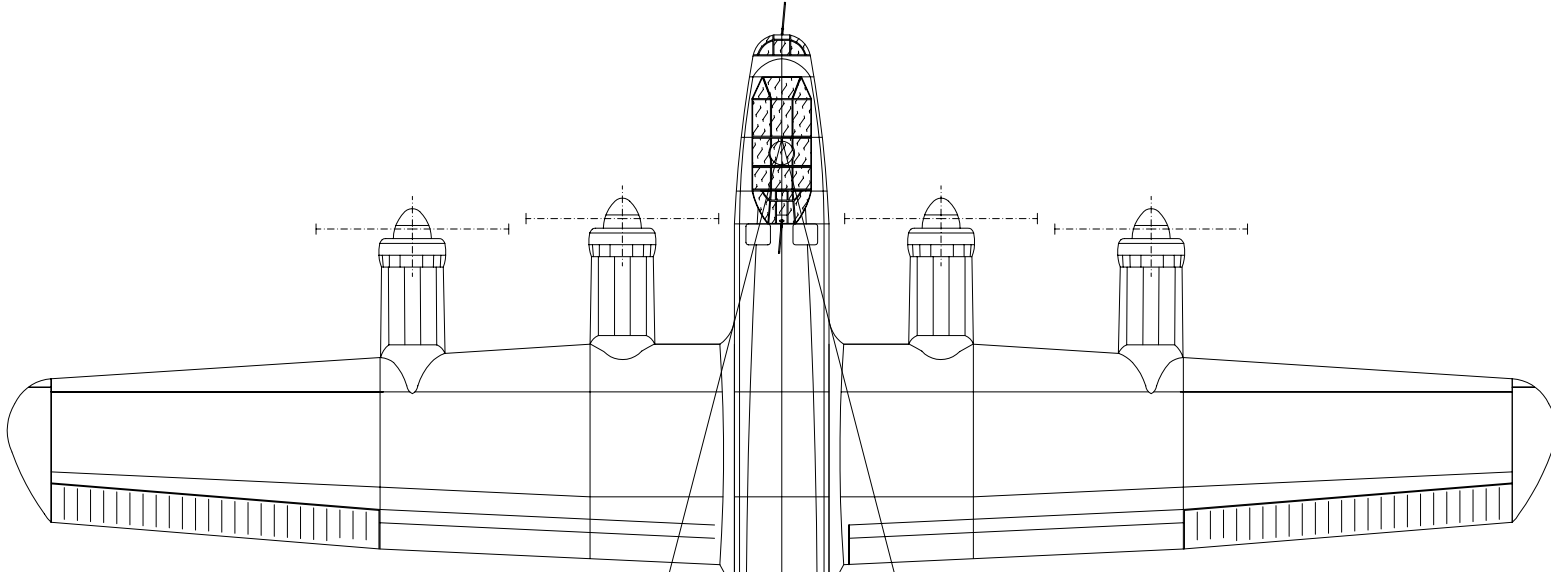
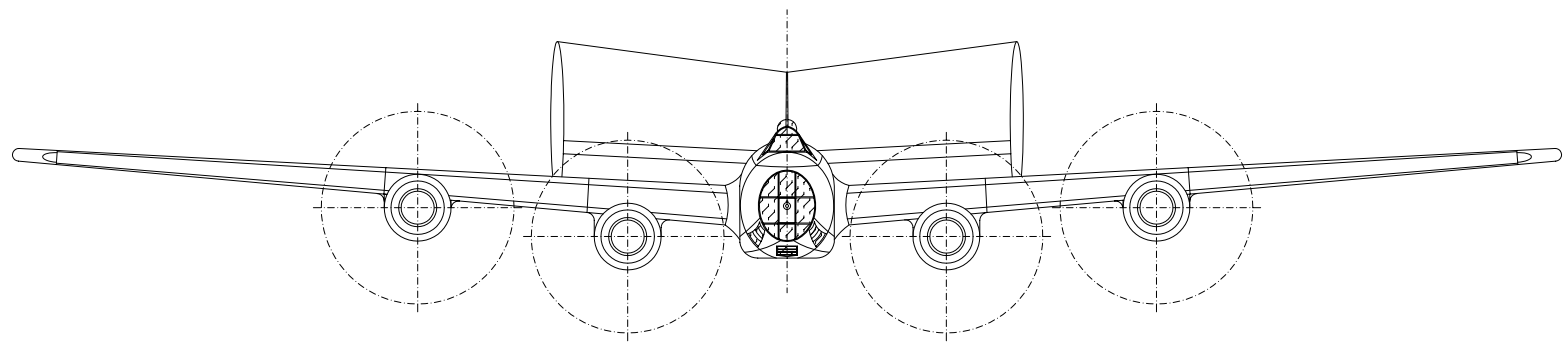
D

E

E

F

F



0 5m

*Junkers Ju 89B*

ONLY FOR WWW.FRONTA.CZ

© 2007

1

2

3

4